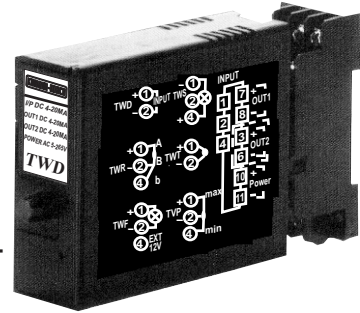


KUSAM-MECO CURRENT LOOP SUPPLY ISOLATING TRANSMITTER

FEATURES

- Aux. Power AC 85 ~ 265V or DC 85 ~ 300V
- High Accuracy 0.1% RO at 23°C ± 5°C
- Output User Selectable
- PC Plastic Case, DIN Rail or Wall Mounting
- High Dielectric Strength (AC 1.5KV/ Min, between Input/Output/Power)



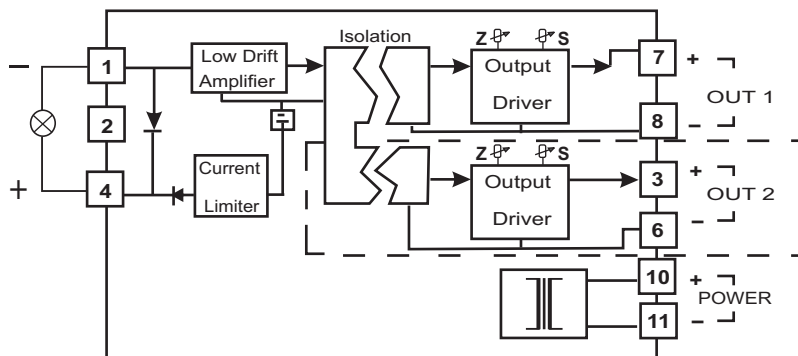
MODEL: TWS — — — SINGLE OUTPUT
 TWS2 — — — — DUAL OUTPUT

INPUT		OUTPUT 1		OUTPUT 2		AUX. POWER	
A	DC 4 ~ 20mA 2wire	A	DC 0 ~ 10mA	A	DC 0 ~ 10mA	C	DC 22 ~ 72V
	EXT DC 24V	B	DC 0 ~ 20mA	B	DC 0 ~ 20mA	F	AC/DC 85 ~ 265V
		C	DC 4 ~ 20mA	C	DC 4 ~ 20mA		
		D	DC 0 ~ 5V	D	DC 0 ~ 5V		
		E	DC 1 ~ 5V	E	DC 1 ~ 5V		
		F	DC 0 ~ 10V	F	DC 0 ~ 10V		
		Y	OTHER	Y	OTHER		

SPECIFICATION

- Accuracy** : 0.1 % RO at 23° C ± 5°C
Input Impedance : ≤ 50Ω
Insulation Resistance : ≥ 100MΩ / DC 500V
Output Load : DC Current Mode : >500Ω in Output 20mA, DC Voltage Mode : 10mA Maximum
Dielectric Strength : AC 2000V / Min, between Input / Output / Power.
Voltage Supply : DC 22 ~ 28V (Without Load)
Linearity & Repeatability : ≤ 0.1% Typical.
Stability : ≤ 0.2% / Year.
Adjust Range : SPAN & ZERO ± 10%
Response Time : ≤ 400 mS
Ripple : ≤ 0.1% rms RO
Temperature Coefficient : ≤ 100ppm / °C From 0~60°C ; ≤ 50ppm / 25°C ± 5°C
Operation Condition : -5°C ~ +55°C, 20~95% RH Non-Condensed.
Storage Condition : -10°C ~ +70°C, 20~95% RH Non-Condensed.
Power Fluctuation Rate : Power can support AC/DC 85~265V or DC 24V ± 10%
Aux. Power Effect : ≤ 0.03% / V
Housing Material : Non-Combustible PC Products, Compliance With UL 94 CLASS V-0
Mounting : DIN Rail or Wall Mounting
Dimension : 27 (W) x 119 (H) x 70 (L) mm (Base)

SCHEMATIC CIRCUITRY & CONNECTION DIAGRAM :



All Specifications are subject to change without prior notice.